

Aquilion™ PrimeSP Scatter chart (Horizontal plane)
135 kV/100 mA/1 s/L/0.5 mm × 80/320 mm-diameter PMMA phantom

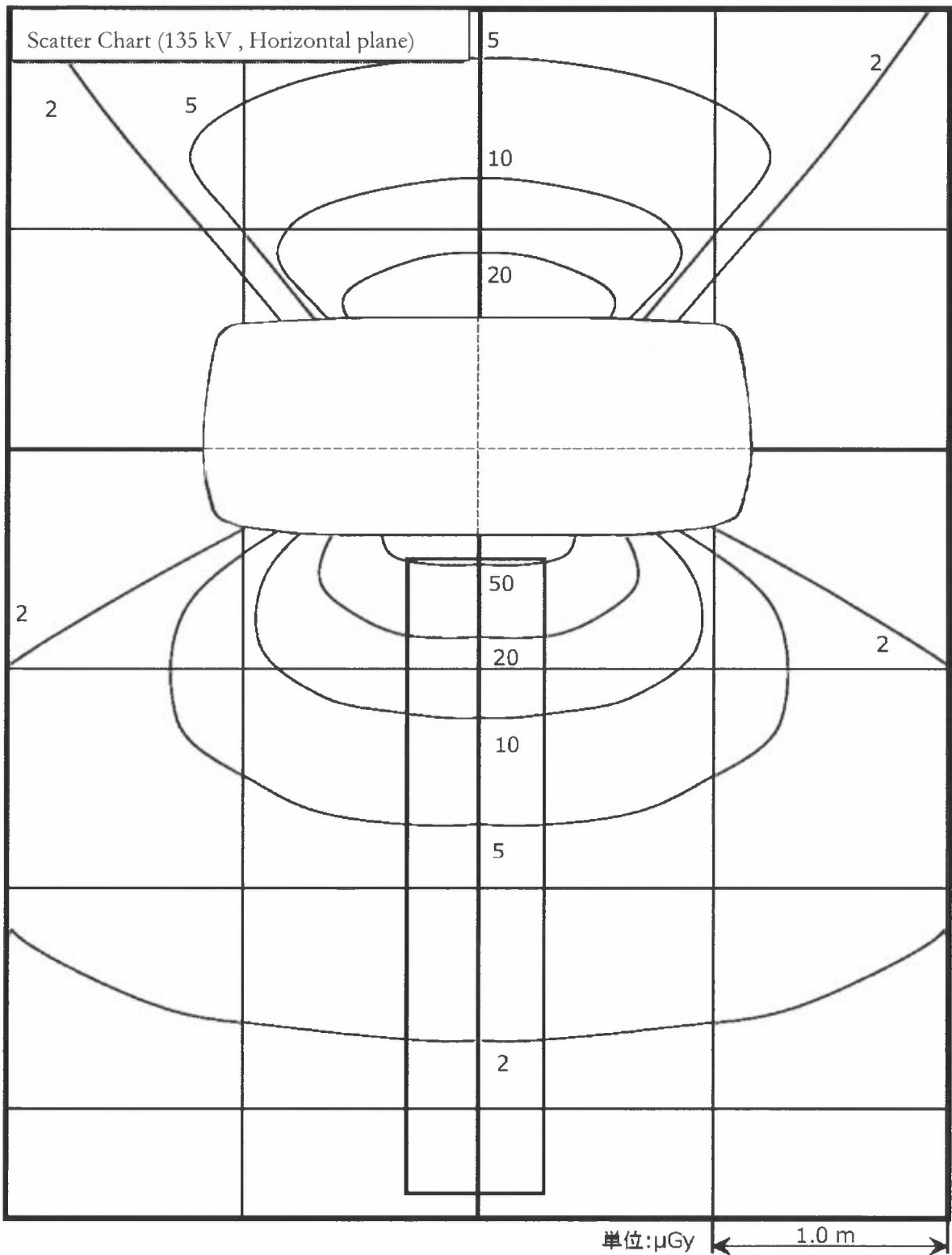


Figure 15-1 Scattered radiation (per 100 mAs)

Aquilion PrimeSP Scatter chart (Vertical plane)
135 kV/100 mA/1 s/L/0.5 mm × 80/320 mm-diameter PMMA phantom

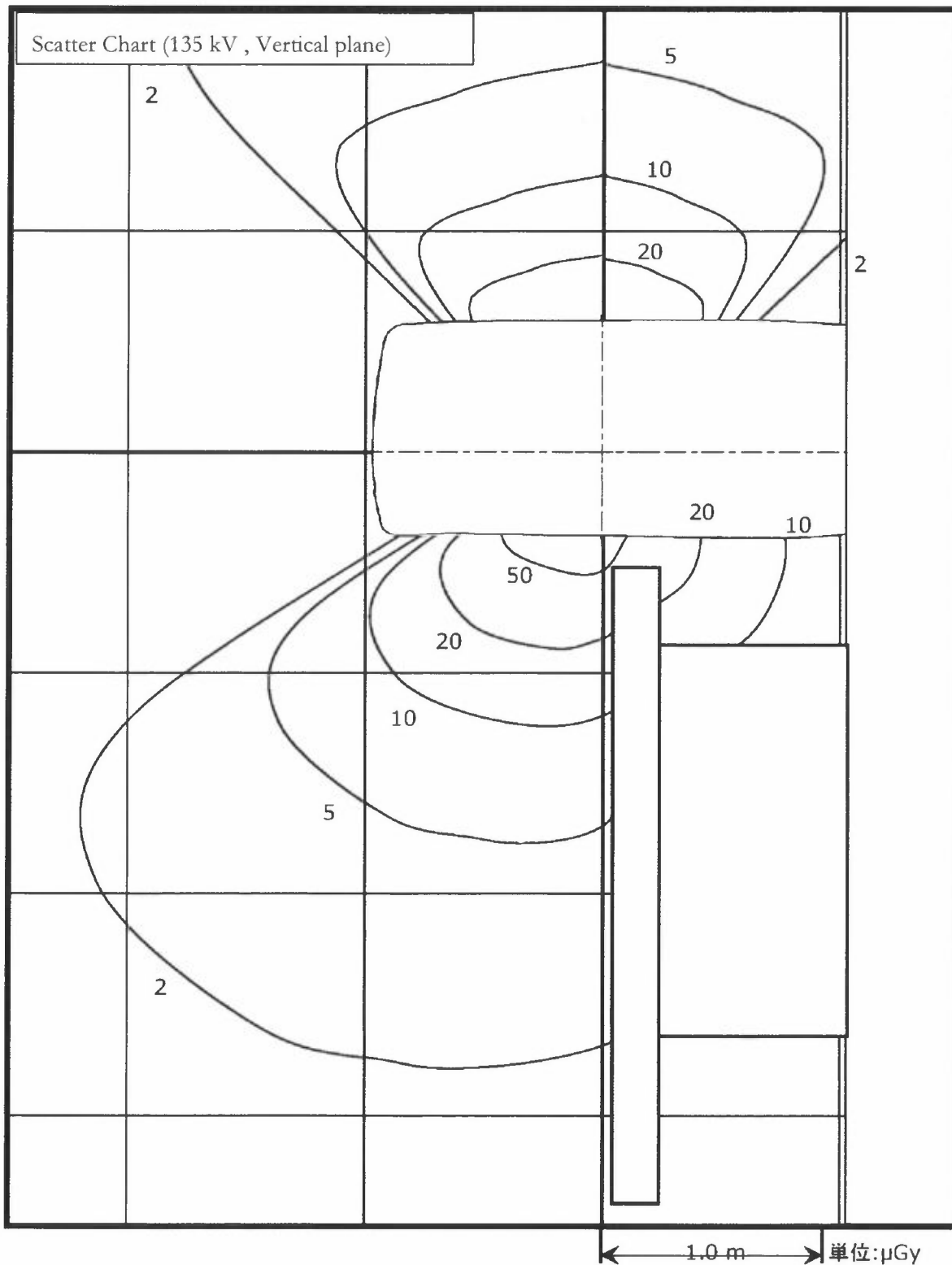


Figure 15-2 Scattered radiation (per 100 mAs)

Aquilion PrimeSP Scatter chart (Horizontal plane)
120 kV/100 mA/1 s/L/0.5 mm × 80/320 mm-diameter PMMA phantom

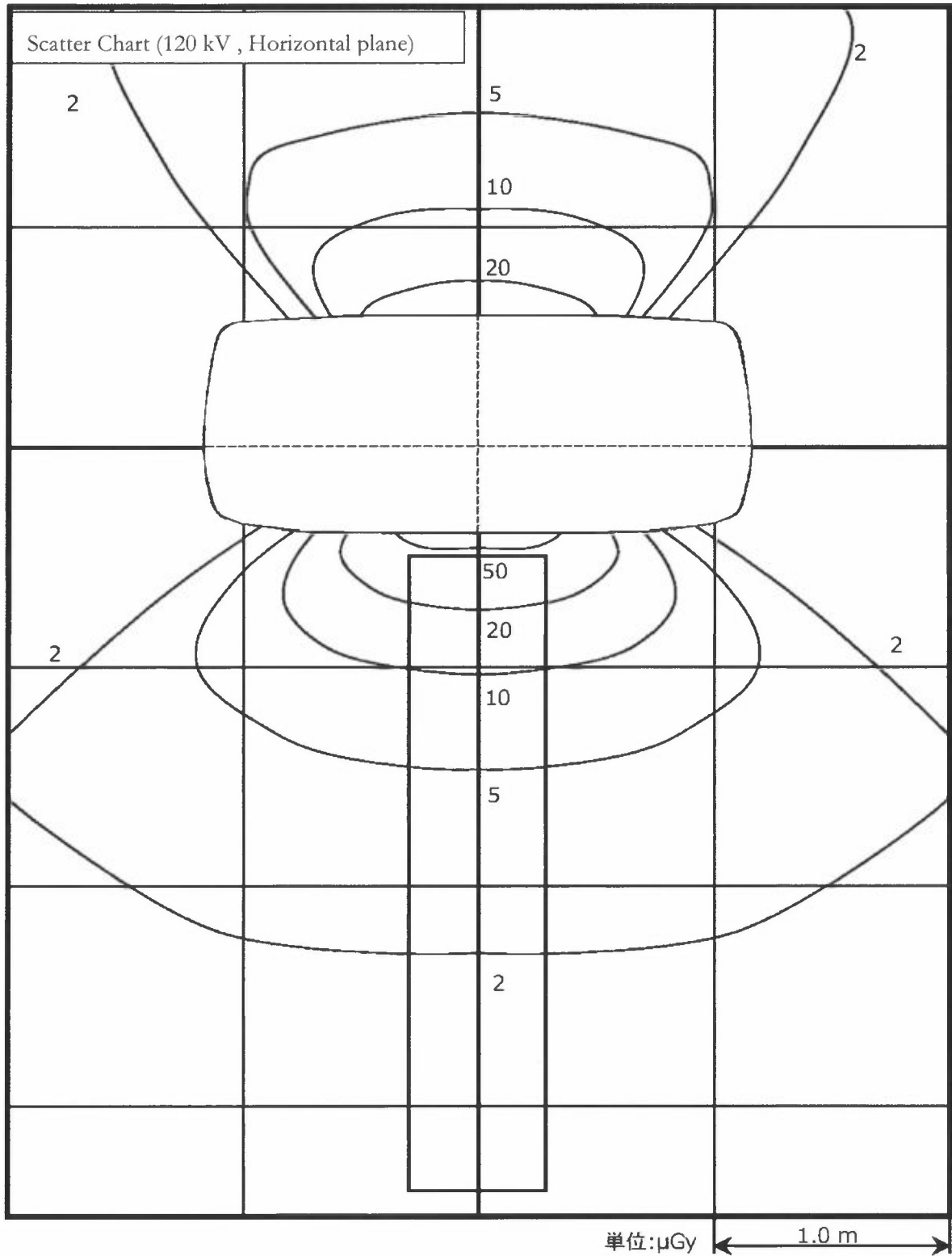


Figure 15-3 Scattered radiation (per 100 mAs)

Aquilion PrimeSP Scatter chart (Vertical plane)
120 kV/100 mA/1 s/L/0.5 mm × 80/320 mm-diameter PMMA phantom

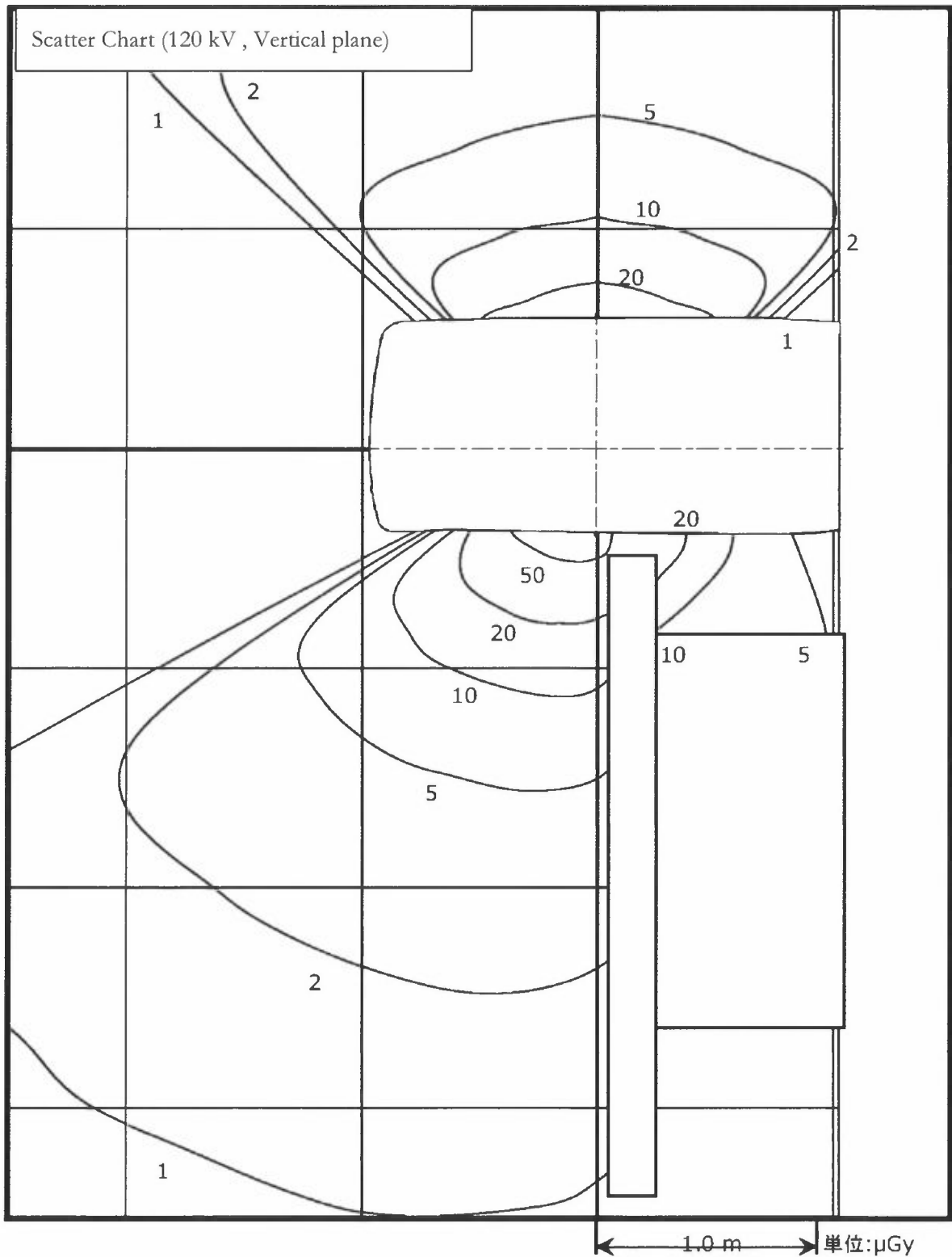


Figure 15-4 Scattered radiation (per 100 mAs)